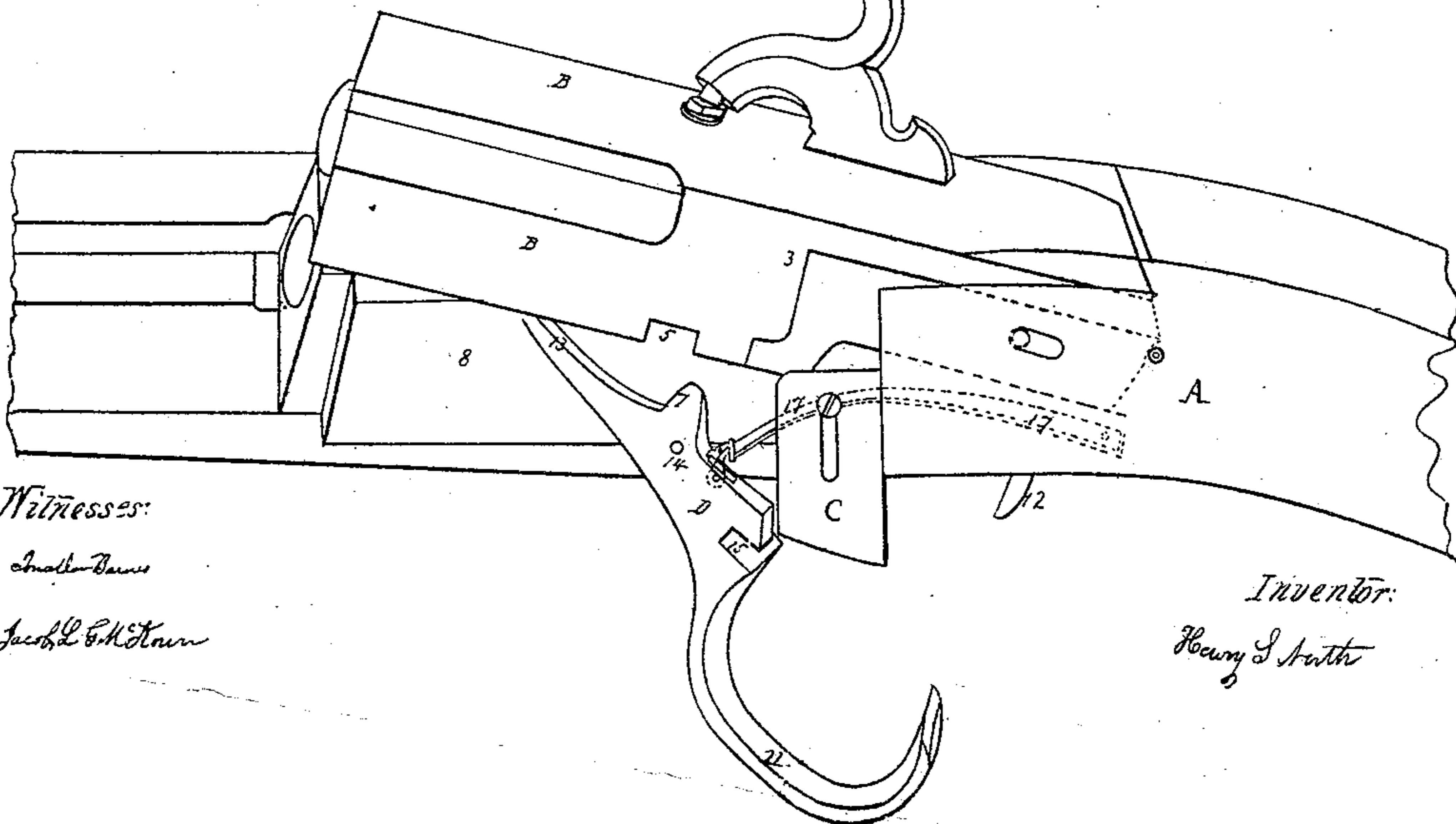
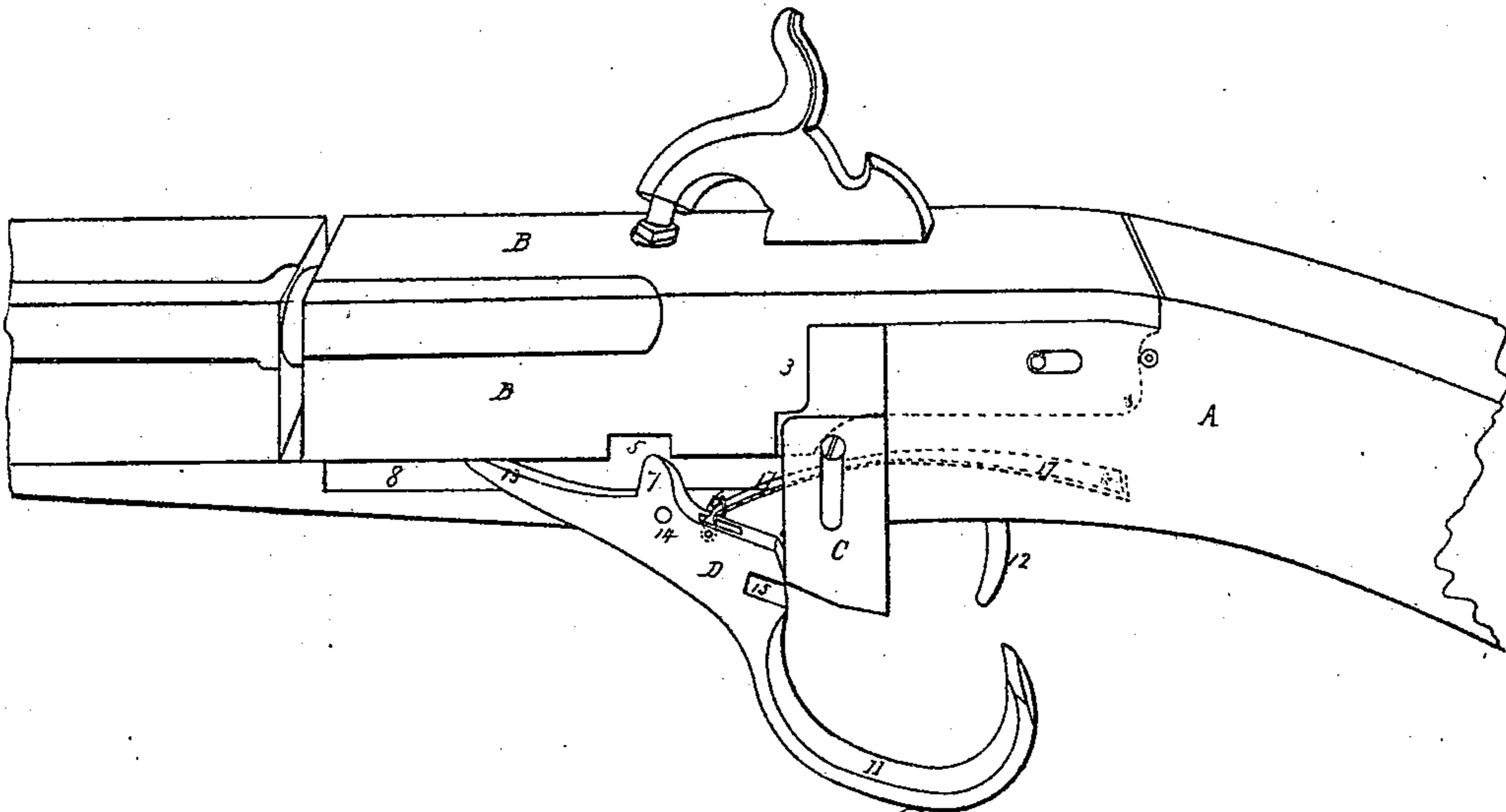
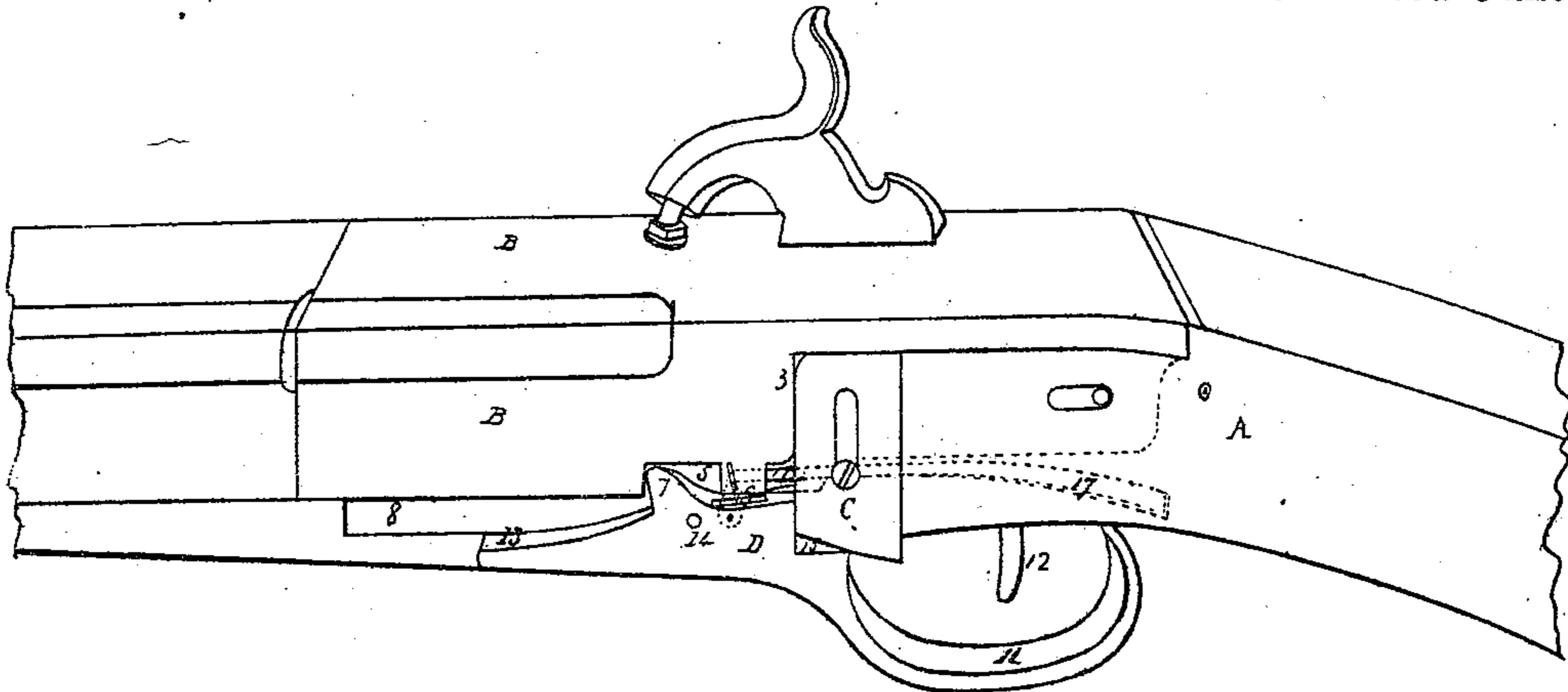


H. S. NORTH.
Breech-Loading Fire-Arm.

No. 5,141.

Patented June 5, 1847.



Witnesses:

Amos Davis

Jacob L. M. Houn

Inventor:

Henry S. North

UNITED STATES PATENT OFFICE.

HENRY S. NORTH, OF MIDDLETOWN, CONNECTICUT.

IMPROVEMENT IN FIRE-ARMS.

Specification forming part of Letters Patent No. 5,141, dated June 5, 1847.

To all whom it may concern:

Be it known that I, HENRY S. NORTH, of Middletown, in the county of Middlesex and State of Connecticut, have invented a new and useful Improvement in Fire-Arms which are Loaded at the Breech; and I hereby declare that the following is a full and exact description thereof.

I refer to the annexed drawing as a part of this specification.

A represents a box made of iron or other metal; or, for the purpose of making the gun lighter, the sides only of the box may be made of metal, and the wooden stock of the gun may form the bottom of the box. On both sides within the box are shoulders 1 2, formed for the purpose of sustaining the sliding crotch C, which rests against these shoulders, and passes vertically between them and the shoulders 3 4 on the receiver or magazine B. The box is attached to the barrel.

B represents the receiver or magazine, which contains the charge, with its shoulders 3 4, and its mortise 5. The part 6, which enters the barrel, is so constructed as to fit tight into the chamber of the barrel, entering the same (after being retracted as hereinafter mentioned) horizontally. The back part of the receiver or magazine is so constructed and worked down as to form the said shoulders 3 4 on each side of it, which, by means of the sliding crotch C, serve the purpose of holding the receiver or magazine firmly to its place, when it has entered the chamber of the barrel. The said small mortise 5, about half an inch long, one-fourth of an inch wide, and one-fourth of an inch deep, is made on the under side of the receiver or magazine for the purpose of drawing it out and back from the barrel by means of a stud or finger, 7, formed on the guard-lever D, which is made to operate in said mortise.

C represents the sliding crotch, which is made of iron or steel, and is intended to hold the receiver or magazine to its place, and also to sustain the recoil of the same when fired. The crotch is moved to and from its place by the guard-lever D.

The bottom of the box is represented by 8 9 10.

D represents the guard-lever, the back part whereof, 11, forms the bow of the guard which covers the trigger 12. The forward part of it, 13, is used as a lever for raising up the receiver or magazine to load it. Near its axis 14 and over it is the stud or finger 7, which operates in the said mortise of the receiver or magazine for the purpose of drawing it out and back from the barrel. Back from said axis and near where the curve or bow, which covers the trigger, commences is a notch, 15, made to fit the sliding crotch, by which the guard is made to operate as a lever to draw the crotch from and to move it to its place. To the guard-lever, near the stud or finger, a link-swivel, 16, is fixed, to which a spring, 17, is attached, serving to hold the guard-lever and crotch firmly up to their places.

To load a fire-arm thus constructed, let the right hand be in its usual place—to wit, around the wrist or crooked part of the stock—and with the left hand pull down the guard-lever as far as it can be drawn conveniently. This will draw back and raise up the receiver or magazine so that the chamber of it will come just above the barrel. Still holding on to the guard with the left hand, and keeping the receiver up, insert the charge with the right hand. Then take the gun by its wrist with the right hand, let go of the guard with the left, and with the thumb of the left hand press down the receiver or magazine forcibly, and the spring attached to the guard will carry everything to its place. If the spring should fail to carry the receiver tight into the barrel, (which is not likely to happen,) press the guard-lever up to its place with the left hand.

Another way, and perhaps preferable, of placing the gun in a position for loading, is to pull upon the guard until the receiver is drawn from the barrel, and then to let go of it, and the spring attached to the guard will raise the receiver to its proper position for loading. Then hold the gun by the barrel with the left hand, and load with the right hand.

What I claim as my invention, and desire to secure by Letters Patent, is—

The combination of the guard-lever with the crotch by means of the notch in the guard.

lever made back from its axis and near where the curve of the bow commences when in combination with the receiver or magazine, by means of the stud or finger on the guard-lever and mortise on the under side of the receiver or magazine, the whole combined and operating substantially as hereinbefore described.

Dated at Middletown the 24th day of May,
A. D. 1847.

HENRY S. NORTH.

In presence of—
JONATHAN BARNES,
JACOB L. G. MCKOWN.